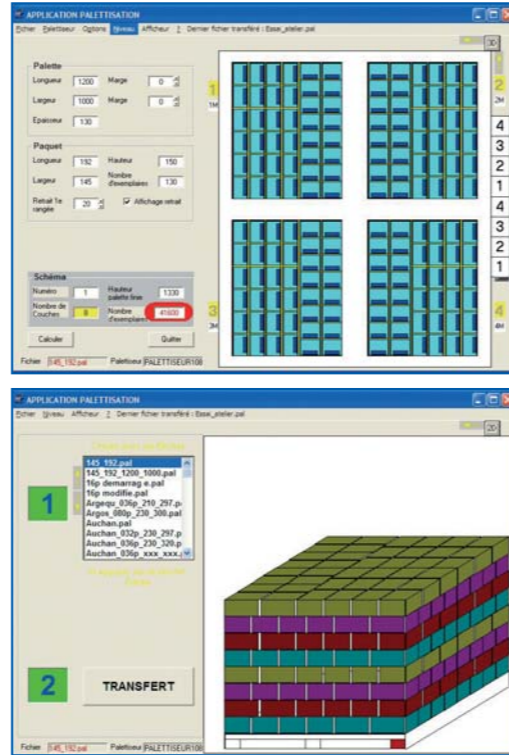


INTUITIVE PHILOSOPHY

Create your own palletizing schema fitted to your needs. Do it yourself with your own experience or the one of the RECFMI software.

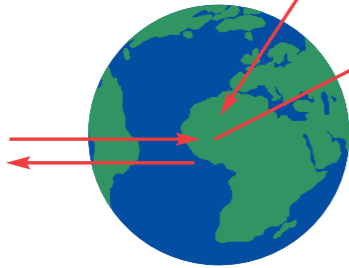
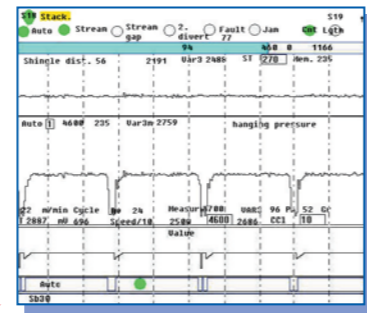


Build up your pallet layout library. Simply store your files for your operators on a Windows™ environment

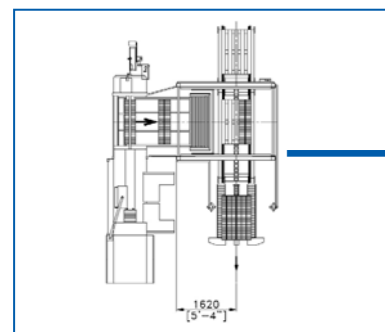


Telemaintenance System

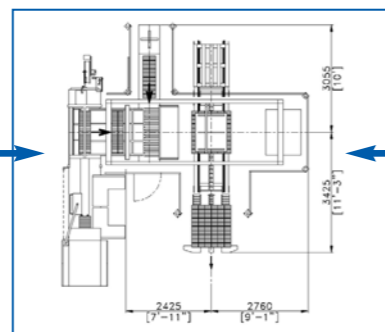
True and reliable remote assistance
Proven internet PC-to-PC technology



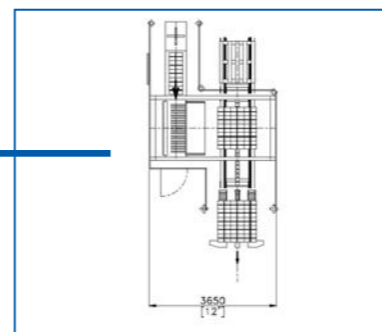
Live interventions on the production parameters and software upgrade at customer site
Automatic alert intranet/extranet.
Full diagnostics on-line of stacker + palletizer.



Logs palletization



Combined palletization for batches and logs

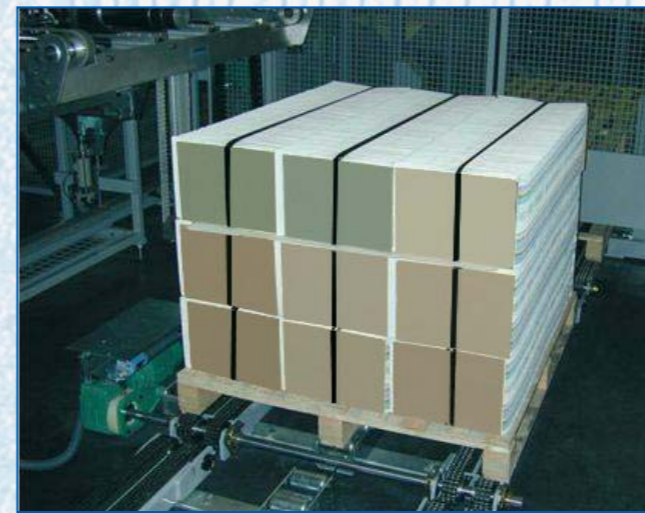
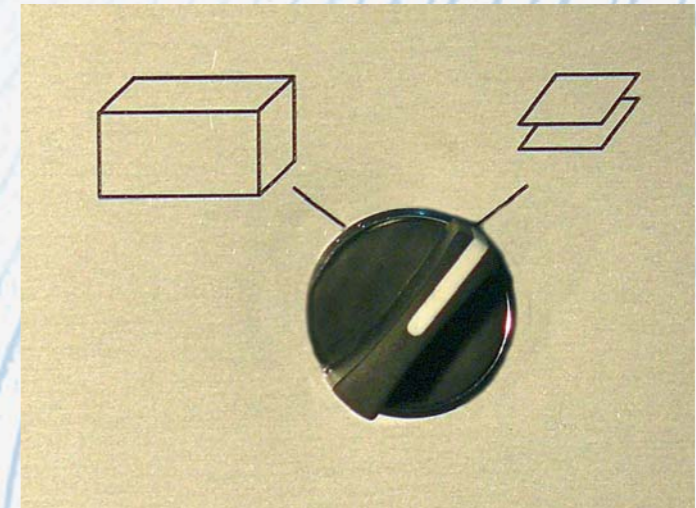


Batches palletization



Batches / Logs

From one mode to the other with the same tool



COMBINED PALLETIZER BATCHES / LOGS



17, Rue de la Tuilerie - Z.A. Sud Valmer - F 72400 CHERRE
tél. +33 (0) 2 43 93 60 65 - fax +33 (0) 2 43 71 38 40
recmi.sales@recmi.com - www.recmi.com

IMP. AUFFRET-PLESSIX S.A.S. - MAMERS - 05/2008

LOGS OR BATCHES PALLETIZATION

RECMi Industrie up-time and solutions for all kind of production events.

Automatic validation module. Checks the quality of the batches at the compensating stacker delivery



Automatic ejection to ensure the up-time of the downstream equipment.

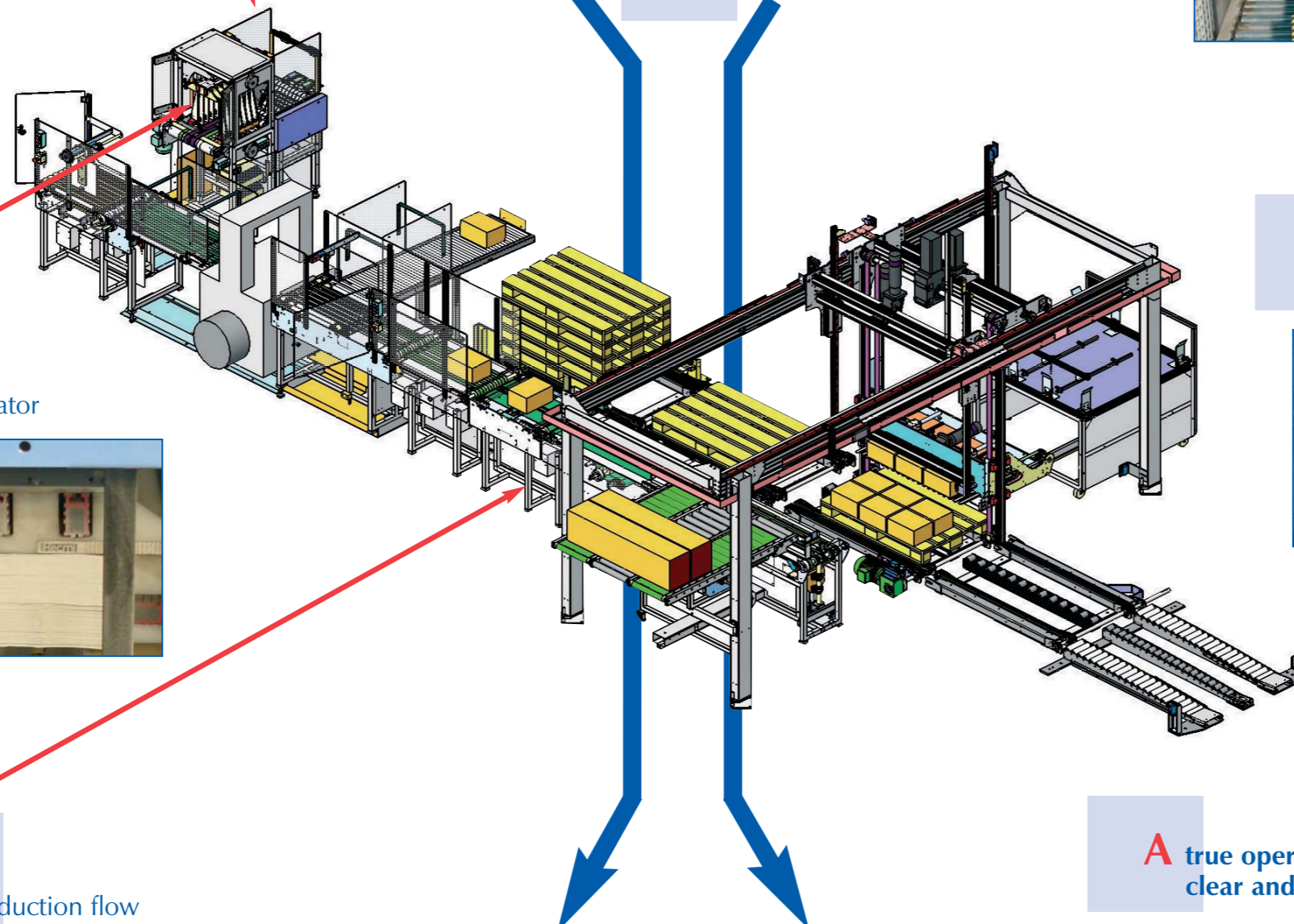


Palletization tray in log mode



Palletization tray in batch mode

Ultrasonic height check module :
Fine quality control of the batches height
Good batches divert for customer sample



RECMI made blocking unit with double high power static generator



Interleaf inserter



Robotic technology with the operator-friendly interface of the RECMi design

Preparation and palletization
Batches storage in a buffer area
A flexible way to take over the production flow



A true operator diagnostic with clear and illustrated screens

