

concept **Recmi**
INDUSTRIE

**A robust design...
...for a superior life of trimming**



IN-LINE / OFF-LINE ROTARY TRIMMING TECHNOLOGY

**The Rotary Trimmer range CR1000/3000 allows an easy and quick startup of the rotary trimming line
It combines manual mechanical adjustments and centralized controls via simple operating controls**

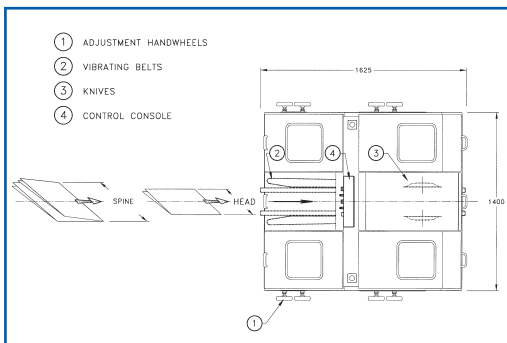
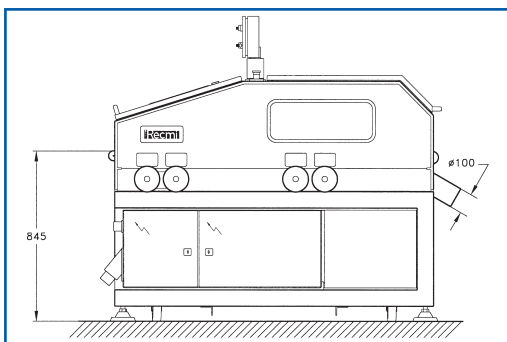
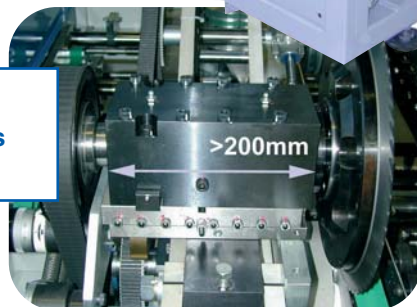
Our rotary trimmers fit comfortably into the RECMI Industrie philosophy and larger homogeneity of the existing product range

They are simple to integrate in the production lines
• In line with the webpresses • Off line

- Good accessibility
- Housing for all the moving parts
- Easy adjustments
- Operating console : clear and simple to use
- Interchangeability of the knives
- Simple maintenance : shaftless technology
- Automatic operator warning for blade setting on request
- JDF functions on request



• **Anti vibration trimming block - RECMI Industrie technology offers superior blade life expectation**



Technical Specifications	
Max. mechanical speed	depending on the press speed.
lengthwise / widthwise	introduction spine or head first (depending on the layout)
Dimension of the shingle stream before trimming	100 mm mini 550 mm maxi
Dimension of the shingle stream after trimming	90 mm mini
Width of trimming on each side	mini. 3 mm maxi. 60 mm
Shingle stream thickness	15 mm or 25 mm max according to the needs
Electrical supply	3 phase 400 VAC + Earth
Air compressed supply	6 bars
Air compressed consumption	1 Nm ³ / h maxi
Power	11 KVA
Extraction	connection with 2 ø 100 mm nominal air output 1000 Nm ³ / h

Recmi Industrie may change or modify machine specifications